



## **Falk™ Orange Peel® MCG**

### ***Precision. Power. Performance.***

You want a trusted name when it comes to providing engineered power transmission products that improve productivity and efficiency. Rexnord provides superior products for your industrial applications world wide. We work closely with you to reduce maintenance costs, eliminate redundant inventories and prevent equipment downtime.

#### ***Applications include:***

- ▶ pumps
- ▶ compressors
- ▶ fans

### **Falk™ Orange Peel® MCG**

Orange Peel MCG guard is designed for close coupled coupling applications. Orange Peel guards comply with OSHA, ASME and ANSI standards. Very few guards do! Look for a Safety Orange or Yellow guard, gaps no greater than .250" (6mm) and ANSIZ535.4 compliant warning labels. Orange Peel's hinged guards open quickly by removing fasteners and "peeling" open the guard halves for coupling lubrication, inspection and maintenance. High-Impact. Polyethylene plastic is extremely tough and durable. Orange Peel guards are ideal for harsh environments and virtually eliminate all guard maintenance.

# Falk™ Orange Peel® MCG

## Features

- ▶ Patented trim and fit design
- ▶ Polyethylene material

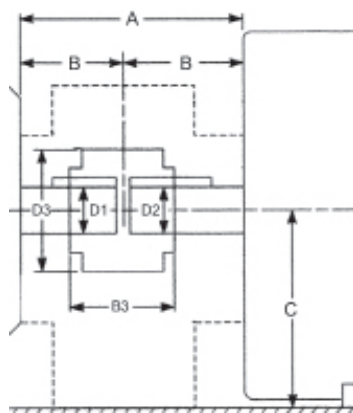
## Benefits

- ▶ Easy selection
- ▶ Application flexibility
- ▶ No corrosion
- ▶ Durable
- ▶ Light

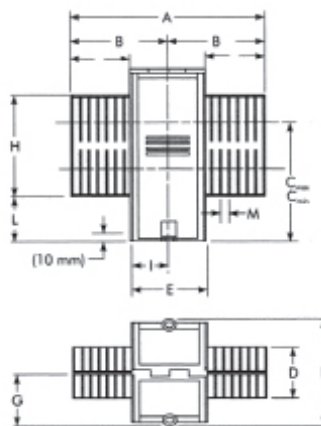


Guard selection dimensions

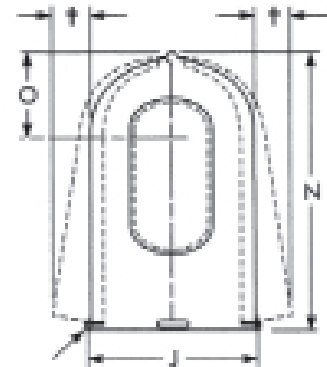
MCG



Guard main dimensions



Pedestal



Guard size	A		B		B3	C		D	D1/D2	D3	E	F	G	H
	max	min	min	max	max	min	max		max					
MCG 05	213	102	51	108	89	71	133	70	38	102	102	188	94	140
MCG 15	318	148	74	159	127	112	191	95	55	162	148	252	126	183
MCG 25	470	213	106	235	184	178	292	152	100	245	213	346	173	270

Guard size	I	J	K	L	M	N	O	P	Q	R	T		Weight kg
											min	max	
MCG 05	51	154	8	35	12,5	218	84	38	102	189	51	133	0,59
MCG 15	74	217	8	61	12,5	305	115	38	148	252	74	191	1,41
MCG 25	106	311	8	100	12,5	461	168	51	213	319	106	292	3,69

Coupling maximum rotational speed 3600n-min • Temperature range -40 C...+70 C

Guard size	Wrapflex R10	Omega E	Viva V	Steelflex T10	Lifelign G20	Thomas SR54RDG
MCG 05	2R..5R	2..3		1020..1030		125
MCG 15	10R..20R	4..10	110..130	1040..1060	1010..1015	162..225
MCG 25	30R..40R	20..40	150..245	1070..1090	1020..1030	262..375



**REXNORD NV, Belgium**

Dellingstraat 55

**2800 Mechelen**

Phone: +32 / 15 44 38 11

Fax: +32 / 15 44 38 60

E-mail: CSB@rexnord.com

[www.rexnord.eu](http://www.rexnord.eu)

*Contact*